



Chair Topper™ Guide

12-19-18



Chair Topper™ Features

For those who are capable of transferring from a wheelchair to drive or ride, the BraunAbility Chair Topper is the answer for convenient and independent mobility. It automatically folds and stores a conventional folding wheelchair inside an attractive, watertight plastic cover that mounts to the top of most vehicles.

A user-friendly hand-held control box operates the lifting, folding and storing of the wheelchair. It takes only 30 seconds to complete the operation. Power is provided by the vehicle's battery and a reversible automotive-type motor.

The Chair Topper's plastic shell can be painted to match the vehicle's exterior for an attractive finishing touch.

BraunAbility manufactures the only car-top carrier available for driver-side use. The smooth and precise operation ensures that the wheelchair is carefully handled and stored without damage or undue wear-and-tear.

The Chair Topper is shipped with a permanent mounting system. Contact BraunAbility to ensure it will fit on your vehicle. Also, please refer to the specification information in this guide before purchasing a Chair Topper. Special considerations may be required for vehicles with luggage racks, sun roofs, hatchbacks, etc.

- Car-top carrier of modular aluminum frame construction with a fully enclosed (top and bottom) plastic shell, adds approximately 22.5" (57 cm) height to the vehicle, maintaining "garageability"
- Stores and folds automatically any conventionally folding wheelchair inside a water tight plastic cover that mounts to the top of most vehicles
- Power is provided by the vehicle's battery and a reversible automotive-type motor
- User-friendly hand-held control box operates the lifting, folding and storing of the wheelchair
- Complete operation takes only 30 seconds
- Universal mounting system fits most vehicles
- Accommodates a range of wheelchairs folded widths
- Lifting capacity is 44 lbs (20 kg)
- Integrated manual backup system
- Aluminum framework provides a durable weatherproof finish
- The plastic shell can be painted to match the vehicle's exterior
- V.A. Accepted

Chair Topper™ Models

For Driver Side Installations

NTOP (Chair Topper with Permanent Mounting System)

- The Chair Topper features an adjustment system that will accommodate a range of wheelchair “folded widths”.
- Some wheelchair models are not compatible with the Chair Topper, and will not fit. Make certain that your chair will fit before purchasing the Chair Topper.
- Please note that wheelchair dimensions will vary among different manufacturers.
- The Chair Topper is shipped with a permanent mounting system.

16021AKS Chain Extension Kit - For Roof Lines higher than 58” (147 cm) and up to 94” (239 cm)

29586AKS Mounting Kit - Replacement mounting kit for moving Chair Topper to another vehicle.

Please note: this installation is shown as an example only.

Before purchasing a Chair Topper, please consult with your local BraunAbility Dealer to ensure it will fit on your vehicle.



Chair Topper™ Specifications

Control: hand-held control box

Construction: aluminum frame with ABS plastic base and shell

Unit Weight: 123 lbs (55 kg)

Lifting Capacity 44 lbs (20 kg)

Motors: 12V DC reversible automotive type

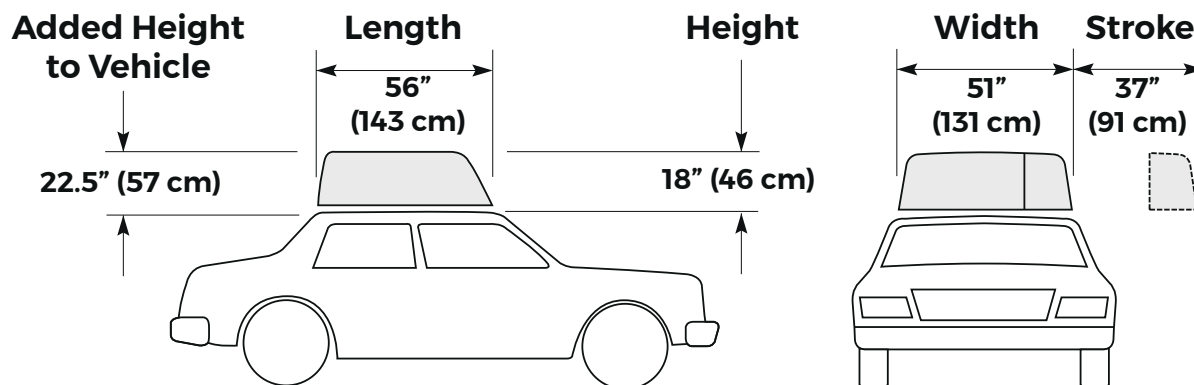
Power Supply: 12V DC

Current Consumption: Max. 30A (12V)

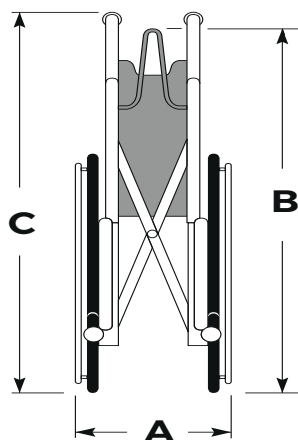
Cycle Time: 30 seconds (approximately)



Chair Topper™ Dimensions



All dimensions are for reference only.



Dimension "A" Maximum "Folded" Width	Dimension "B" Maximum "Apex" Height	Dimension "C" Maximum "Handle" Height
14" (36 cm)	34.5" (88 cm)	40" (102 cm)

Maximum Wheelchair Weight: 44 lbs (20 kg)

Maximum Wheelchair Depth (back of rear wheels to tip of footrests): 44.5" (113 cm)

No Power Assisted Wheelchairs

Chair Topper™ Application Checklist

Use this check list to determine if the Chair Topper will work with your client's vehicle. With so many different makes and models of vehicles, it is nearly impossible for BraunAbility to put together a formula that will apply to all situations. However, if you keep within the parameters of this check list, you should be able to cover the majority of applications.

Distance from ground to top of vehicle roof.

- The Chair Topper will add 22.5" (57 cm) in height to the vehicle.
- Check with your client for potential vehicle height problems where they usually park or drive. (example: home garages, parking garages)

Width of top of vehicle.

- Chair Topper is 51" (131 cm) wide.
- If the vehicle's top is 49" (125 cm) or less, contact BraunAbility to ensure the Chair Topper will work in this application.
- If the vehicle's top is 53" (135 cm) or wider, also contact BraunAbility to ensure the Chair Topper will work in this application.

Length from the top of the windshield to the top of the rear window.

- Chair Topper is 56" (143 cm) long.
- If the vehicle's top is less than 56" (143 cm) long, contact BraunAbility to ensure the Chair Topper will work in this application.

Check the vehicle for modifications.

- Sun roof, T-Top, Hatchback or any other addition or modification to the roof could create problems when mounting the Chair Topper.

If you have any additional questions, contact BraunAbility!

Chair Topper™ Specifications

BraunAbility® Chair Topper Specifications **“Provided to make your spec writing easier.”**

The Chair Topper shall be of modular aluminum frame construction, with a fully-enclosed (top and bottom) plastic shell. The unit shall add no more than approximately 22.5" (57 cm) in height to the vehicle, and shall operate in a horizontal plane requiring only 4" (10 cm) additional clearance above the unit for operation. The Chair Topper shall automatically fold and store a conventional folding wheelchair and have a maximum lifting capacity of 44 lbs (20 kg).

The mounting system shall be a permanent style mounting system, allowing the unit to be mounted to a wide variety of vehicles.

The Chair Topper shall feature an integrated manual backup system, so that the wheelchair may be removed from the carrier in the event of vehicle electrical failure. A user-friendly hand-held control box shall control both the raising and lowering functions. The control shall be decal'd with the appropriate function legend.

BraunAbility Chair Topper to include the following model numbers:

NTOP (driver side)



braunability.com

800.THE.LIFT

ISO 9001:2015

631 West 11th Street, Winamac, IN 46996, USA