



Specifications

Equipment

Hydraulic wheelchair lift for American-made full-size vans (side or rear door)

Lifting Capacity

Up to 600 lbs.

Unit Weight

336 lbs. (average depending on model)

Platform Dimensions

31" usable width

43", 47" and 51" usable length

Door Operators

Optional door operators are available for the side or rear doors.

Hydraulic Power Pack

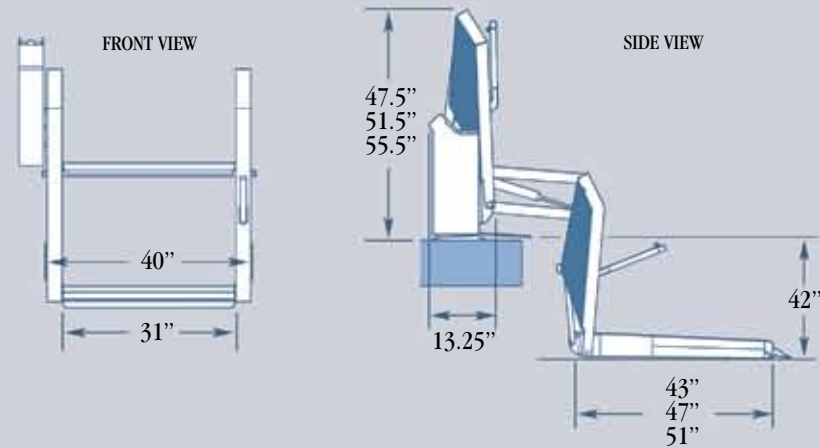
The hydraulic power pack is integrated into the lift design. A standard manual backup pump allows operation in the event of vehicle electrical failure.

Platform Side-Entry.....

The standard side-entry allows boarding of the platform in tight parking situations.

Lift Controls

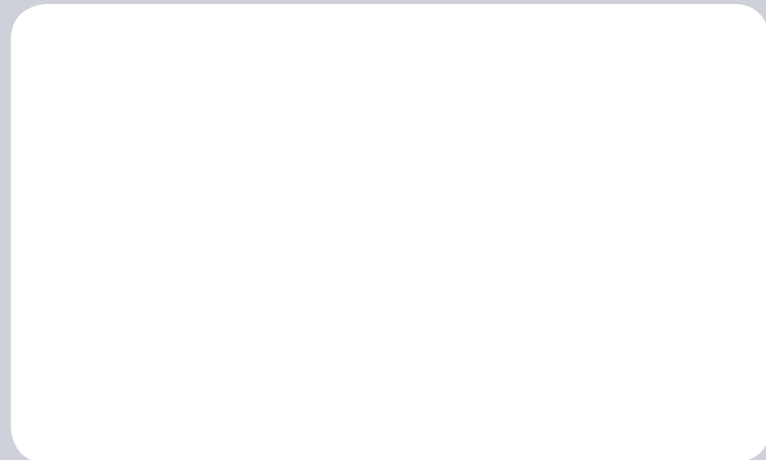
The lift is equipped with a standard hand-held control, on-lift interior controls and an "up/down" switch arm. For greater convenience, an optional remote control system is available.



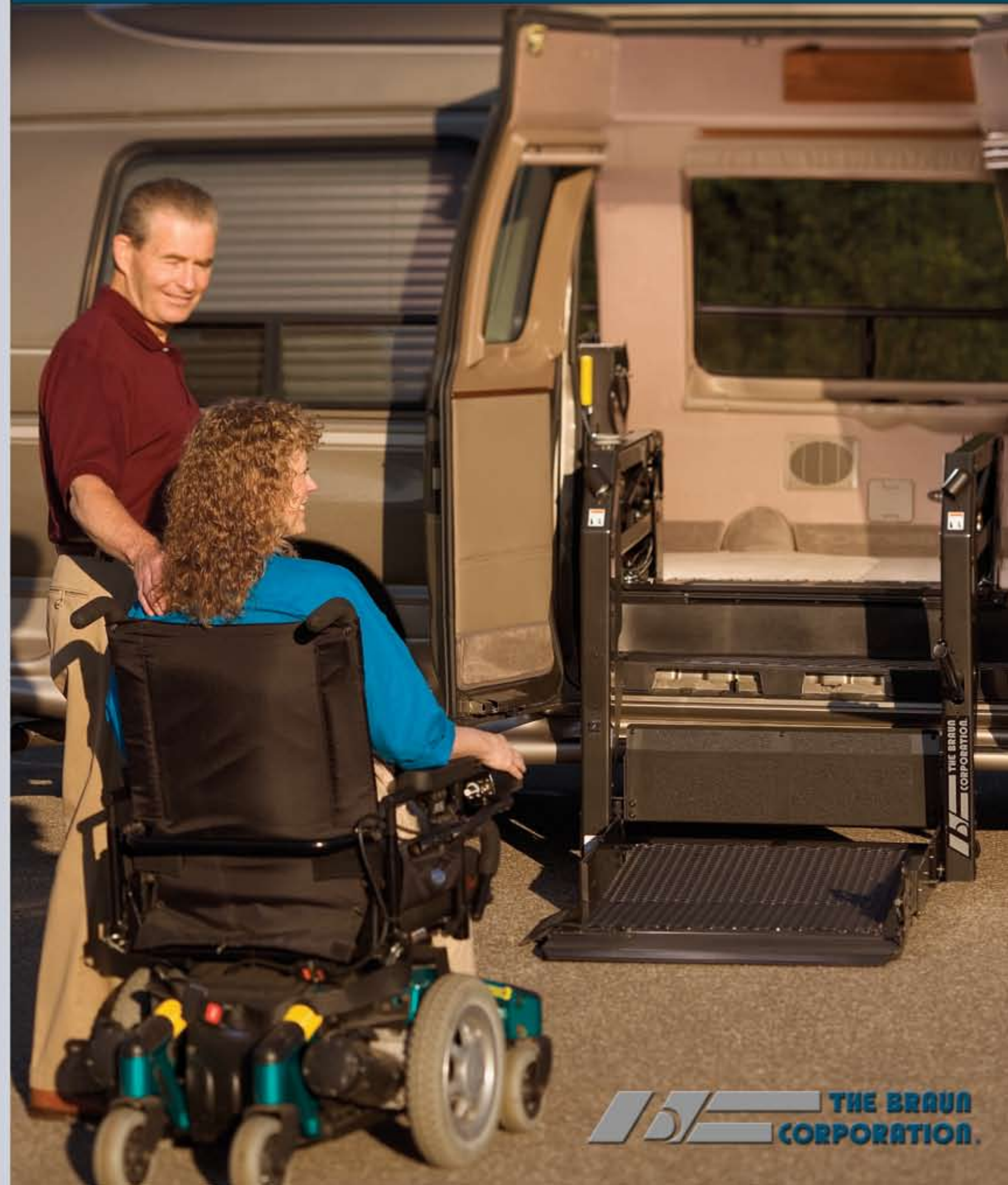
THE MILLENNIUM SERIES IS VA ACCEPTED & FULLY NHTSA COMPLIANT

System Operation

The operator first opens the vehicle's doors manually (if the vehicle is equipped with optional door operators, the doors are opened automatically by pressing the "unfold" switch). To unfold the lift, the "unfold" switch is pressed and held until the platform unfolds completely and stops at vehicle floor level. The operator then activates the "down" switch to bring the platform to ground level, and the hydraulic roll stop deploys automatically. After boarding the platform, the operator activates the "up" switch on the switch arm to raise the platform to vehicle floor level. After entering the vehicle, the "fold" switch is activated to stow the lift.



Millennium® Series Wheelchair Lifts



1-800-THE-LIFT®
For The Dealer Nearest You



INTERNATIONAL
CORPORATE HDQTRS:
P.O. Box 310
Winamac, IN
46996 USA
1-800-843-5438
(574) 946-6153
fax (574) 946-4670

www.braunmobility.com



52238 © 2005 The Braun Corporation All illustrations, descriptions and specifications in this brochure are based on the latest product information at the time of publication. The Braun Corporation reserves the right to make changes at any time without notice.

Strength & Dependability



The Millennium Series is the true workhorse of the Braun line. Designed for installation in the side or rear doors of domestic full-size vans, three standard models with platform lengths up to 51" ensure there is a lift to fit your needs. With dual hydraulic lifting arms, you'll come to rely on the lift's strength and dependability day after day, year after year.

Braun's ergonomic hand-held control, with clearly marked buttons, allows lift operation to become second nature for the user. Interior on-lift controls and an integrated "up/down" control on the switch arm round out the Millennium Series' versatility. For even greater convenience for the independent user, an optional remote control system is available.

Braun offers many weight-saving features to make the lift less cumbersome while providing all the strength and rigidity needed for long-lasting operation. To make your travels more enjoyable, the Millennium Series has been designed and engineered to ensure the quietest possible riding environment with Braun's Quiet Ride® system. As with all Braun lift series, Millennium lifts are built to meet stringent specifications and safety standards, and carry our exclusive Three-Year Worry-Free Warranty.

With so much riding on your personal mobility, you can't afford to take chances. You can trust the time-tested Millennium Series to get you there on time, every time.



Color-Coded Control Switches

Integrated Platform Lighting

Threshold Warning Plate

Inboard Barrier/Bridge Plate

Switch Arm with Up/Down Control

Standard Side-Entry Feature

Durable Powder-Coated Finish

Automatic Roll Stop

Ergonomic Hand-Held Control