



2010 *International Application Guide* • Volume 9 • Issue 2 • 7-30-10



Please note: this installation is shown as an example only. Mounting system shown is no longer available. Before purchasing a Chair Topper, please consult with your local BraunAbility Dealer to ensure it will fit on your vehicle.

CHAIR TOPPER™

Chair Topper™ Models

For Left Side Installations

L710X-E (Chair Topper with Permanent Mounting System)

For Right Side Installations

L710XR-E (Chair Topper with Permanent Mounting System)



Please note: this installation is shown as an example only. Mounting system shown is no longer available. Before purchasing a Chair Topper, please consult with your local BraunAbility Dealer to ensure it will fit on your vehicle.

- The Chair Topper features an adjustment system that will accommodate a range of wheelchair "folded widths".
- Some wheelchair models are not compatible with the Chair Topper, and will not fit. Make certain that your chair will fit before purchasing the Chair Topper.
- Please note that wheelchair dimensions will vary among different manufacturers.
- The Chair Topper is shipped with a permanent mounting system.

16021A Chain Extension Kit - For Roof Lines higher than 58" (147 cm) and up to 94" (239 cm)

29586A Mounting Kit for L710X-E & L710XR-E

This mounting kit is used in conjunction with the permanent mounting system to move mounting feet further from the center of the roof.



Chair Topper™ Specifications

Control: single rocker switch in hand-held control box

Construction: aluminum frame with ABS plastic base and shell

Unit Weight: 123 lbs (56 kg)

Lifting Capacity: 45 lbs (20 kg)

Motors: 12V DC reversible automotive type

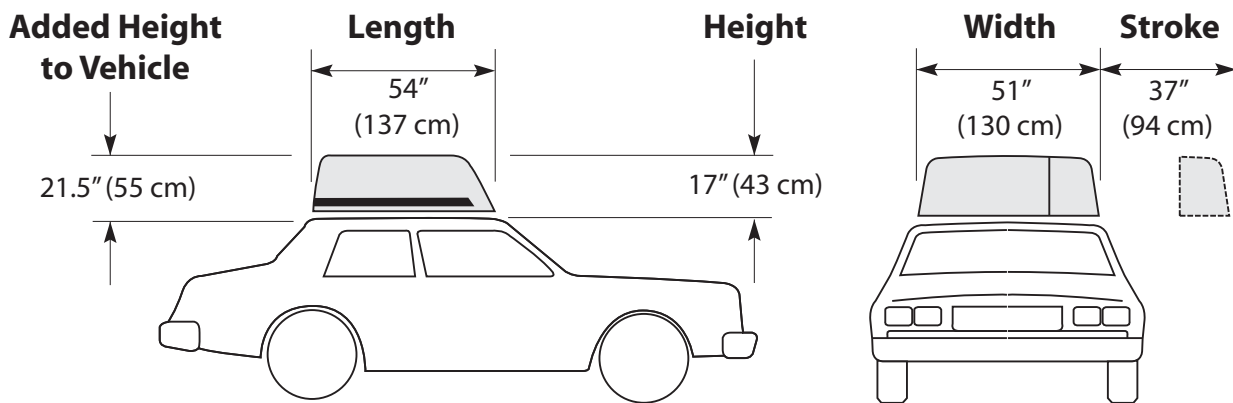
Power Supply: 12V DC

Current Consumption: Max. 30A (12V)

Cycle Time: 30 seconds (approximately)

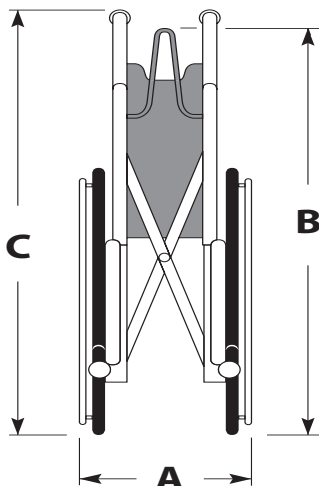


Chair Topper™ Dimensions



All dimensions are for reference only.

Chair Dimensions



All dimensions are for reference only.

DIMENSION "A" MAXIMUM "FOLDED" WIDTH	DIMENSION "B" MAXIMUM "APEX" HEIGHT	DIMENSION "C" MAXIMUM "HANDLE" HEIGHT
9" (23 cm)	34 1/2" (88 cm)	40" (102 cm)
10" (25 cm)	34 5/32" (87 cm)	39 11/32" (100 cm)
11" (28 cm)	33 13/16" (86 cm)	38 11/16" (98 cm)
12" (30 cm)	33 7/16" (85 cm)	38 1/16" (97 cm)
13" (33 cm)	33 3/32" (84 cm)	37 13/32" (95 cm)
14" (36 cm)	32 3/4" (83 cm)	36 3/4" (93 cm)

MAXIMUM WHEELCHAIR WEIGHT: 45 lbs (20 kg)
 MAXIMUM WHEELCHAIR DEPTH (back of rear wheels to tip of footrests): 44.5" (113 cm)

Chair Topper™ Features



- car-top carrier of modular aluminum frame construction with a fully enclosed (top and bottom) plastic shell
- stores and folds automatically any conventionally folding wheelchair inside a water tight plastic cover that mounts to the top of most vehicles
- power is provided by the vehicle's battery and a reversible automotive-type motor
- single rocker switch located in a user-friendly hand-held control box operates the lifting, folding and storing of the wheelchair
- complete operation takes only 30 seconds
- available in driver- and passenger-side models
- accommodates a range of wheelchairs folded widths
- lifting capacity is 45 lbs (20 kg)
- manual release located inside an easily-accessible locked door
- framework is powder coated with a durable weatherproof finish
- the plastic shell can be painted to match the vehicle's exterior



www.braunability.com/international

ISO 9001:2000

631 West 11th Street, Winamac, IN 46996, USA Phone: +1 574 946 6153 Fax: +1 574 946 4670