



2010 *International* Application Guide • Volume 9 • Issue 1 • 1-11-10



MILLENNIUM SERIES™

Millennium Series™ Models

L917IB / L917FIB

Useable Platform:
33" x 51" (84 cm x 130 cm)

L918IB / L918FIB

Useable Platform:
33" x 51" (84 cm x 130 cm)

L990RARS

Useable Platform:
27" x 39" (69 cm x 99 cm)
Not Available with Inboard Barrier

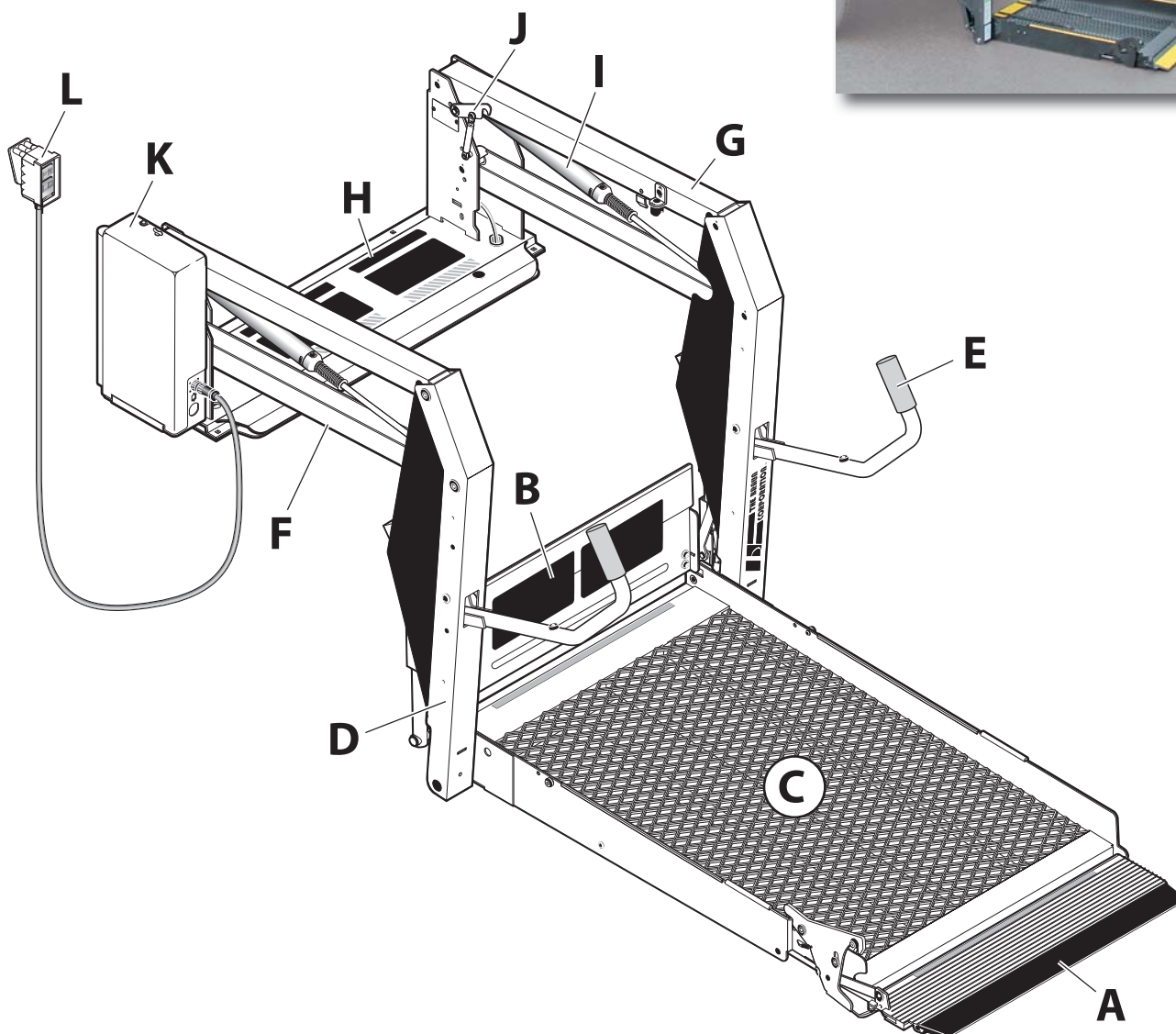
L919IB / L919FIB

Useable Platform:
34" x 51" (86 cm x 130 cm)

L917FIB3454YF

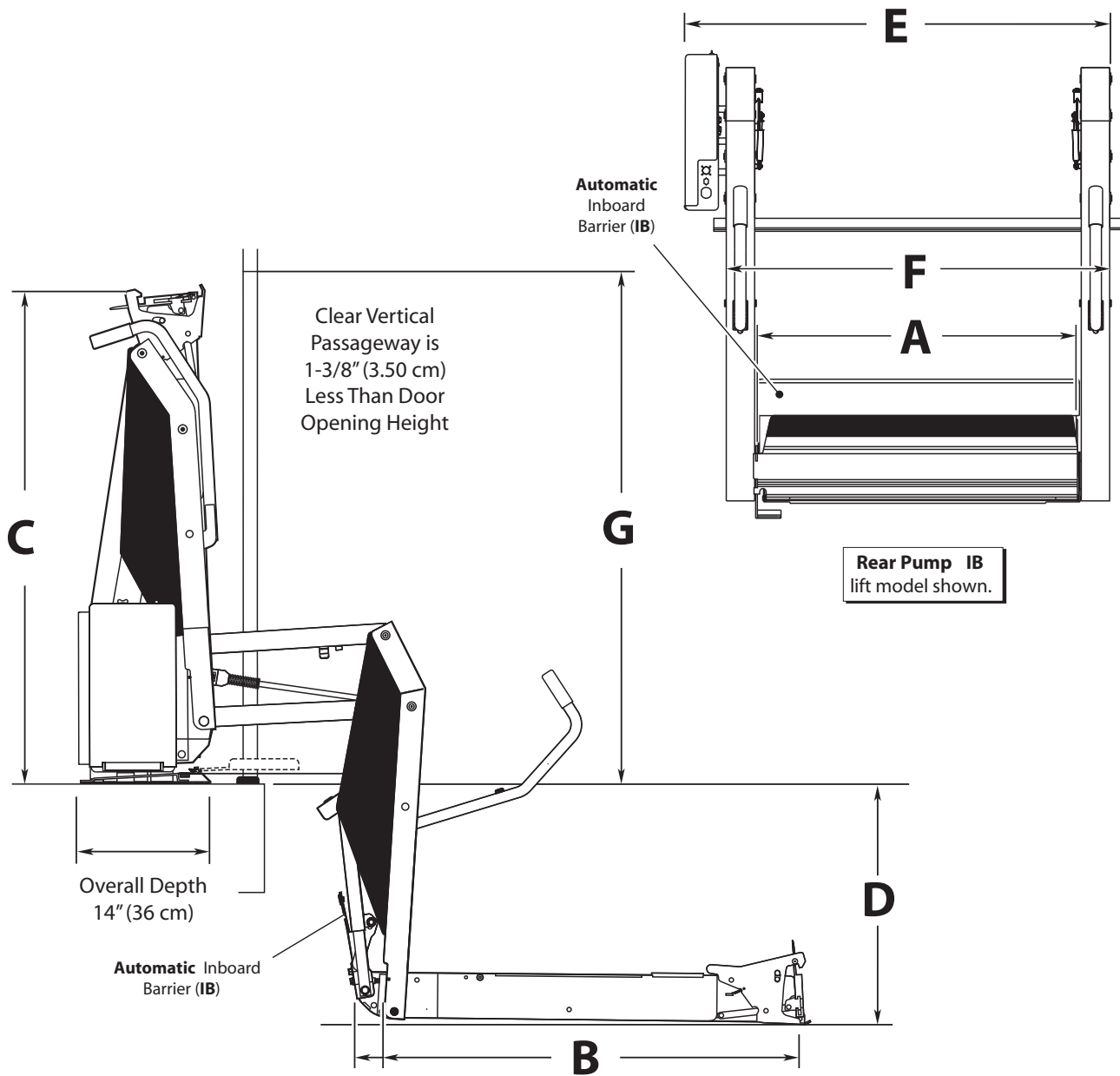
"Yellow Flashing Lights"
Useable Platform:
34" x 54" (86 cm x 137 cm)

F = Front Pump IB = Inboard Barrier For a front-mounted pump assembly, add "F" to the model number when ordering (example: L917F). For an automatic inboard barrier, add "IB" to the model number when ordering (example: L917IB)



A - Automatic Outboard Barrier	G - Top Parallel Arms (2)
B - Inboard Barrier (IB)	H - Base Plate
C - Platform	I - Cylinder (2)
D - Vertical Arms (2)	J - Lift-Tite Latch
E - Handrails (2)	K - Pump Module
F - Bottom Parallel Arms (2)	L - Hand-Held Control Box

Millennium Series™ Dimensions



All dimensions are for reference only.

Millennium Series™		A	B	C	D	E	F	G	
Lift Model Number	Operation		Clear Platform Width	Clear Platform Length	Overall Lift Height	Max. Floor to Ground	Overall Lift Width	Min. Clear Door Opening Width	Min. Clear Door Opening Height
	User	Attdt.							
L917IB / L917FIB		X	33"(84cm)	51"(130cm)	56.25"(143cm)	48"(122cm)	45.25"(115cm)	42"(107cm)	56.5"(144cm)
L917IB3454 / L917FIB3454		X	34"(86cm)	54"(137cm)	59"(150cm)	48"(122cm)	46.25"(117cm)	43"(109cm)	59.5"(151cm)
L917FIB3454YF		X	34"(86cm)	54"(137cm)	59"(150cm)	48"(122cm)	46.25"(117cm)	43"(109cm)	59.5"(151cm)
L917IB3550 / L917FIB3550		X	35"(89cm)	50"(127cm)	56.25"(143cm)	48"(122cm)	47.25"(120cm)	44"(112cm)	56.5"(144cm)
L917IB3750 / L917FIB3750		X	37"(94cm)	50"(127cm)	56.25"(143cm)	48"(122cm)	47.25"(125cm)	46"(117cm)	56.5"(144cm)
L918IB / L918FIB		X	33"(84cm)	51"(130cm)	54.75"(139cm)	42"(107cm)	45.25"(115cm)	42"(107cm)	55"(140cm)
L918IB3343 / L918FIB3343		X	33"(84cm)	43"(109cm)	47.5"(121cm)	42"(107cm)	45.25"(115cm)	42"(107cm)	48"(122cm)
L919IB / L919FIB		X	34"(86cm)	51"(130cm)	56.25"(143cm)	48"(122cm)	46.25"(117cm)	43"(109cm)	56.5"(144cm)
L990RARS		X	27"(69cm)	39"(99cm)	44.25"(112cm)	29"(74cm)	39.5"(100cm)	36"(91cm)	44.75"(114cm)

Millennium Series™ Specifications

General Function: Electrohydraulic, power up/gravity down operation

Operation: Hydraulic pump with two lifting cylinders and one outboard barrier cylinder

Control: hand-held control box

Hydraulic: Pressure Max. 2,495 psi (172 bar), Fluid is Unavis HVI 26, reservoir is .33 gal (1.25 L)

Construction: Steel structure with powder coat finish

Lift Weight: 342 lbs (155 kg) - 386 lbs (175 kg) (depending on lift model) - L990RARS - 295 lbs (134 kg)

Lifting Capacity: 800 lbs (363 kg)

Operating Temperature: 19°F to 149°F (-7°C to 65°C)

Power Supply: 12V DC or 24V DC (L990RARS 12V only)

Current Consumption: Max. 70A (12V), Max. 35A (24V)



Millennium Series™ Accessories

These Hand-Held Controls not applicable for L990RARS.



Lift comes standard with a 24879A-10 Hand-Held Control Kit.

STANDARD CABLE

24879A-10 10' Quick-Disconnect Hand-Held Control Kit

24879A 15' Quick-Disconnect Hand-Held Control Kit

COIL-CORD CABLE

24880A-10 10' Quick-Disconnect Hand-Held Control Kit

ARMORED CABLE

24881A-10 10' Quick-Disconnect Hand-Held Control Kit

24881A 15' Quick-Disconnect Hand-Held Control Kit

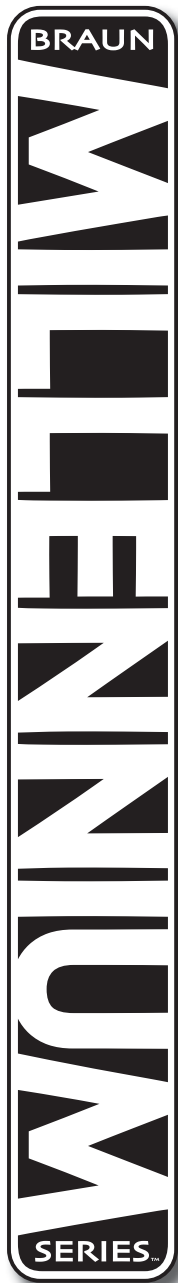


27254A
Upper Tower
Wall Brackets Kit



19459A
Retractable Belt Kit
(Attaches to Handrails)

Millennium Series™ Features



- fully automatic lift, operated by an attendant
- parallel arm lift with hydraulic cylinders
- hand-held control box with color-coded rocker switches for easy operation of the lift
- quick-disconnect hand-held control for simple connection of optional controls or easy field replacement
- side or rear door application
- miscellaneous platform widths and lengths
- dual handrails for security and convenience
- hydraulic outboard barrier that will be in the fully up position before the platform leaves the ground
- mechanical inboard barrier (IB models), ensuring extra safety for the wheelchair occupant
- bridging feature permits the wheelchair user to board the lift from sidewalks or inclines
- integrated back-up pump
- equipped with an adjustable anti-rattle feature to avoid unpleasant noise in the vehicle during transit
- durable high-gloss powder coated finish
- Lift-Tite system stows the lift platform securely while the vehicle is in transit
- pump module with removable cover offers easy access to all components



www.braunability.com/international

ISO 9001:2000

631 West 11th Street, Winamac, IN 46996, USA Phone: +1 574 946 6153 Fax: +1 574 946 4670